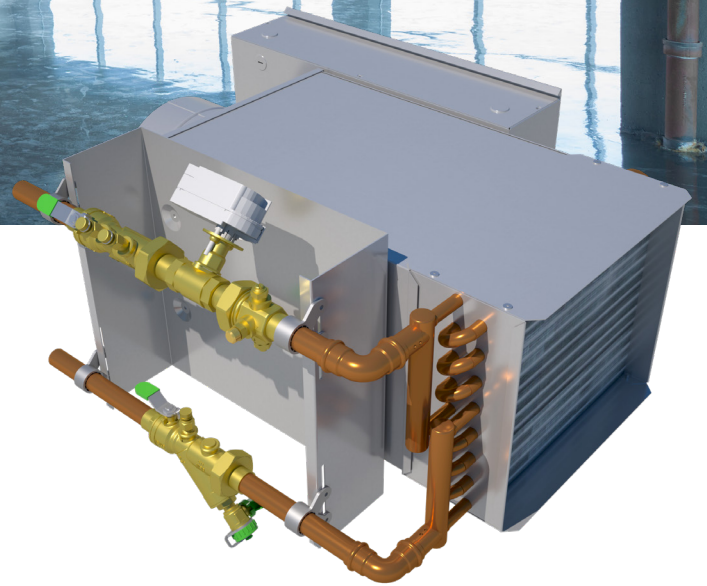


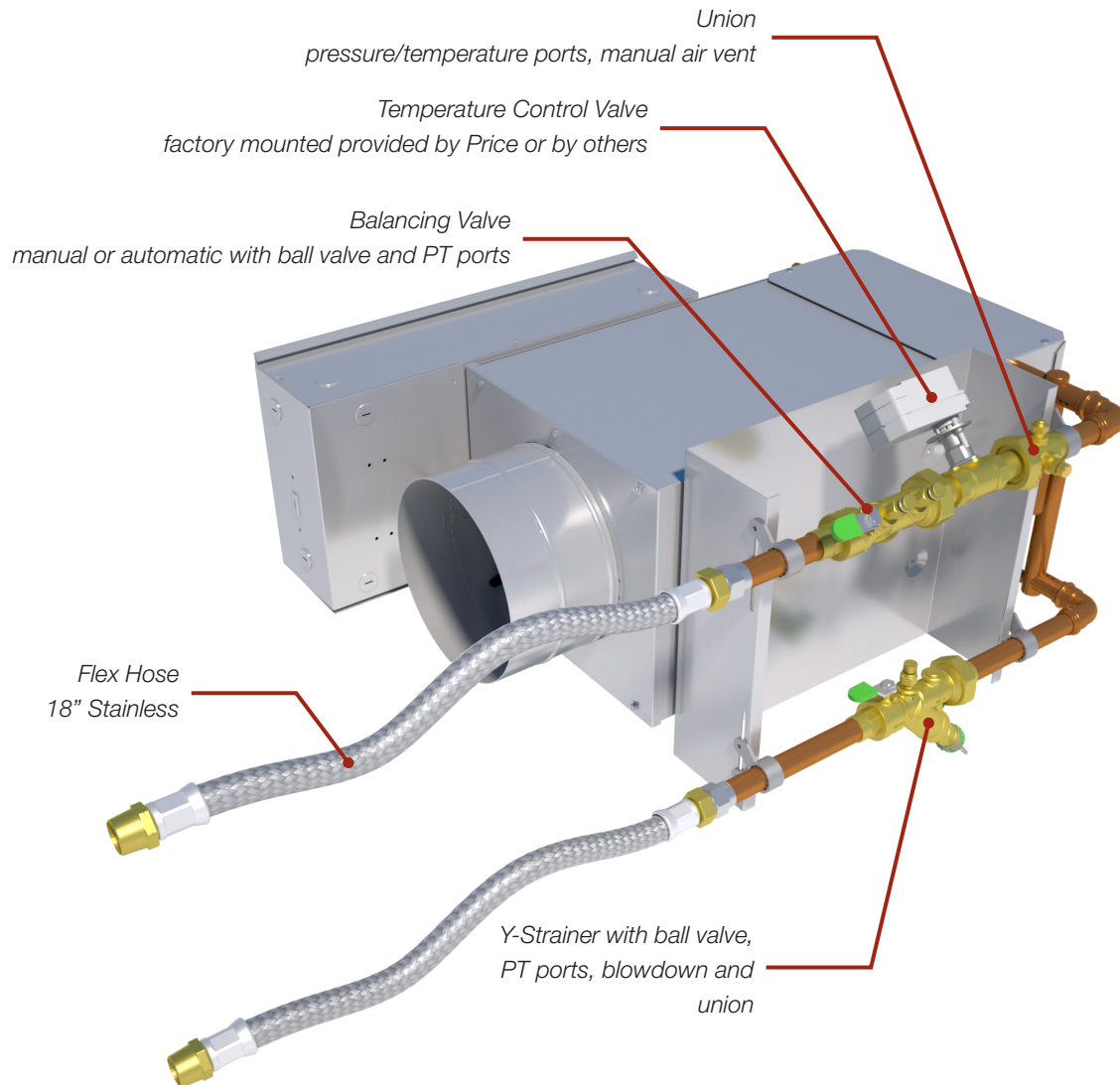
PIPING PACKAGE



PIPING PACKAGE

WHY FACTORY MOUNTED PIPING PACKAGES?

Typically, hydronic control piping packages are assembled piece by piece in the field and mounted to terminal units on the jobsite. By allocating the piping package mounting to the terminal unit manufacturer, engineers, contractors, and building owners can take advantage of factory lean manufacturing and quality assurance procedures to allow for quality improvements and time savings on the jobsite. Factory mounted piping packages can save up to 2-3 hours of field labor for every assembly leading to impactful time and cost savings for any size of project.

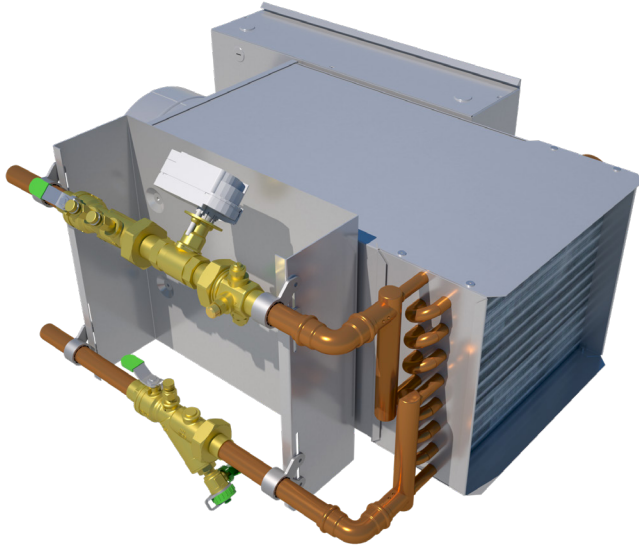


PIPING PACKAGE

FACTORY LEAK TESTED AND QUALITY ASSURED

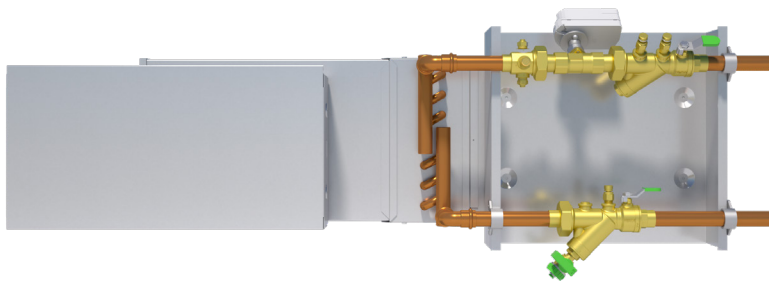
Price Industries factory mounted piping packages utilize a pressure decay test to verify leakage free assemblies throughout typical operating conditions.

Nitrogen sniff testing is utilized to further verify leakage free seams to assure that every piping package assembly is ready for shipping.



STRUCTURAL INTEGRITY

The single duct piping package is constructed inside of a Ushaped housing. This bracket is designed to support and protect the piping package through factory handling and long hours on a delivery truck.



TYPICAL APPLICATIONS

All water to air heat exchangers require a piping package to regulate fluid flow and pressure, allowing for optimal discharge air temperature control to maximize occupant thermal comfort. Piping packages are available with a variety of options and configurations to meet the requirements of all jobsites.

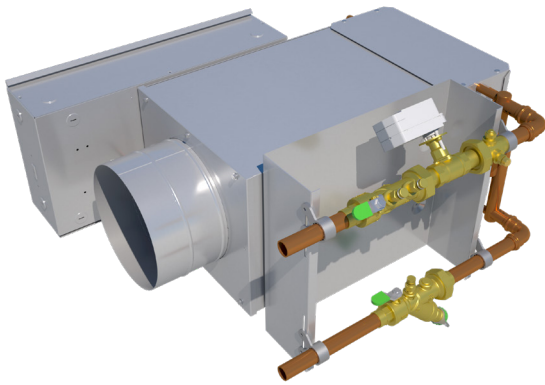
FEATURES

- + Combination balancing valve with shut off
 - Manual or automatic
- + Temperature Control Valve by Price or factory mounted by others
 - On/off, floating point, modulating
 - Copper placeholder for field installed TCV
- + Combination y-strainer with shutoff and blow-down
- + 2-way and 3-way flow configurations
- + Sweat, Male NPT or Hose end connections
- + 0.5", 0.75" or 1" line size
- + 18" stainless steel flex hose

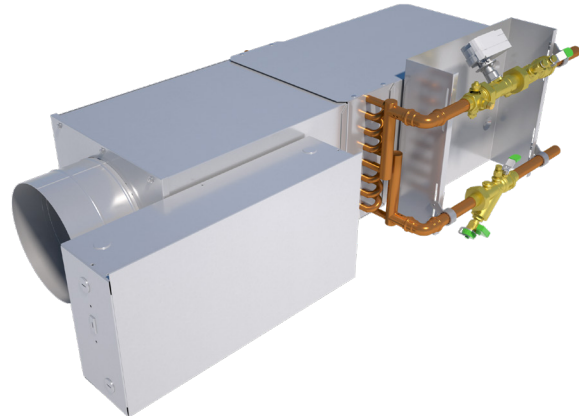
PIPING PACKAGE

MOUNTING

The piping package can be mounted on the same side of the unit as the controls enclosure for ease of access. However, a 15.5" casing extension is required when controls and piping package handling are on the same side. Bottom mounted controls are also available as an option if clearance is a concern.



Opposite Side Handling



Same Side Handling

VALVE CONTROL

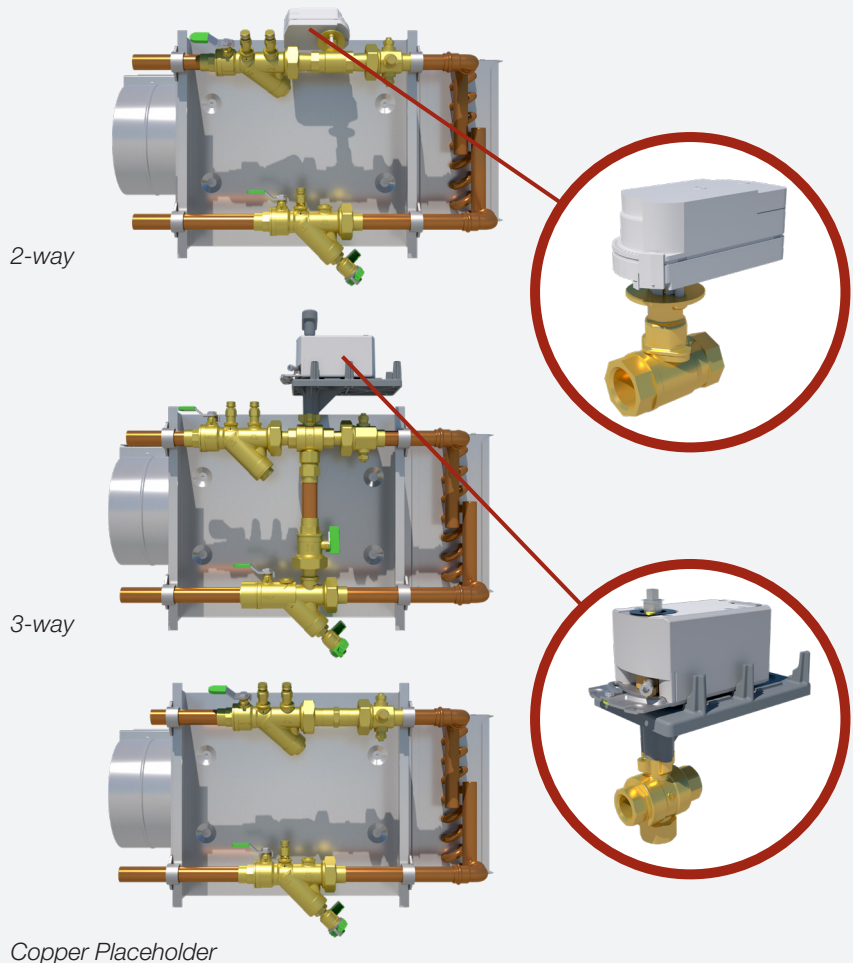
2-way Valves have two ports; one inlet and one outlet. Often utilized as on/off or isolation valves, but also utilized in variable flow systems.

3-way Valves have three ports. Price piping packages utilize a mixing configuration with two inlets and one outlet.

3-way Valves are most commonly used at the reheat coil in constant volume hydronic systems. As well, they can be used to bypass fluid in some applications.

Step-down TCVs are defined as a control valve with diameter size smaller than the piping package line size. Step down TCVs are often used for improved valve authority.

Copper Placeholders are available for field mounted TCVs.



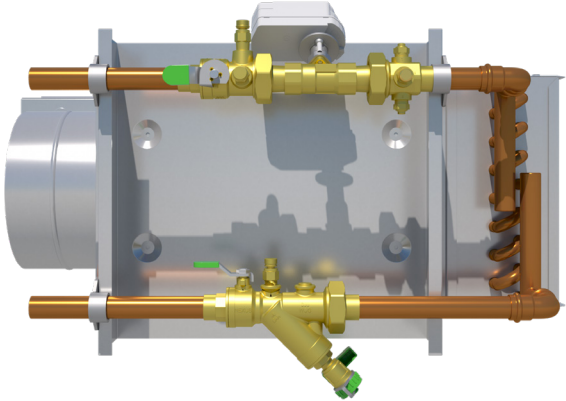
PIPING PACKAGE

SAMPLE PACKAGE OPTIONS

Standard

Simple yet effective piping package with binary control

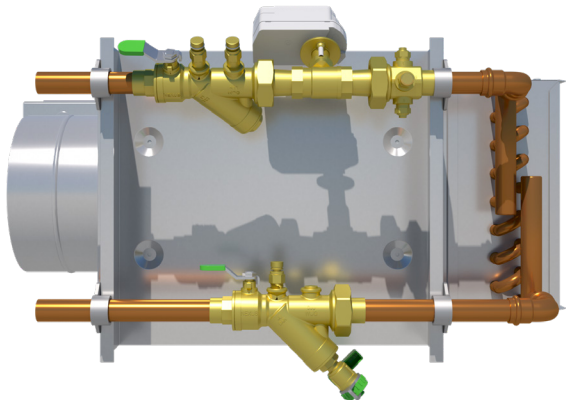
- + 2 or 3 way control
- + Manual Balancing Valve
- + TCV provided by Price
- + ON/OFF TCV Control
- + 0.5", 0.75" or 1" line size



Premium

The standard package is upgraded with an automatic balancing valve and a TCV with Floating point control which allows for improved temperature control.

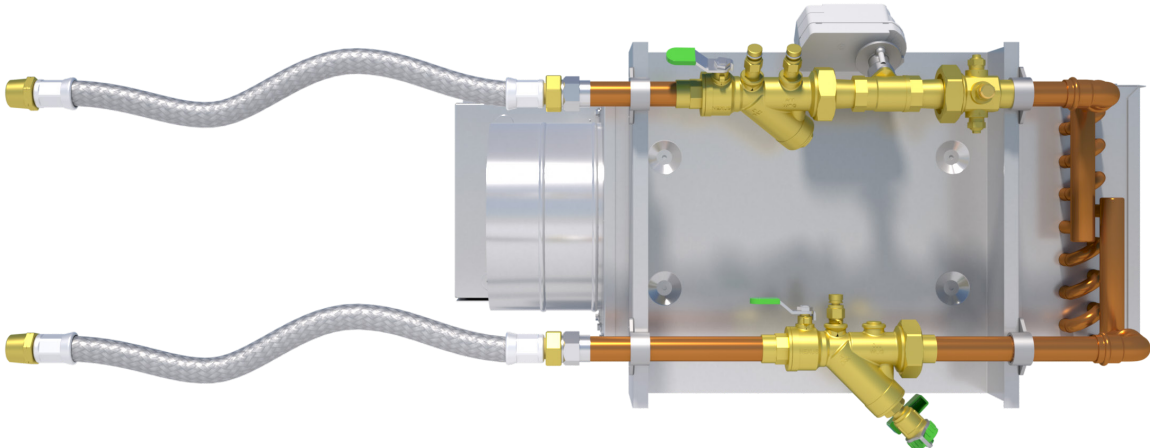
- + 2 or 3 way control
- + Automatic Balancing Valve
- + TCV provided by Price
- + Floating point TCV Control
- + 0.5", 0.75" or 1" line size



Deluxe

Offers 18" flex hose on the supply and return headers for easy connections in the field. Modulating TCV control paired with an auto balancing valve allows for optimal flow control.

- + 2 or 3 way control
- + Automatic Balancing Valve
- + TCV provided by Price
- + Modulating TCV Control
- + 18" Flex Hose
- + 0.5", 0.75" or 1" line size

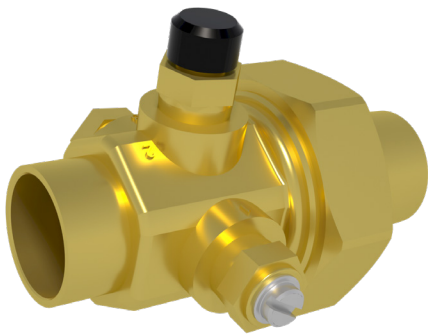
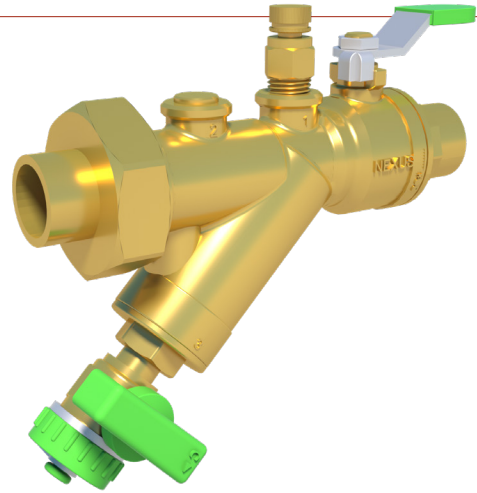


PIPING PACKAGE

VALVE OFFERING

Y-strainer

- + Used to remove undesirable solids from the fluid lines
- + Protects expensive components such as pumps, balancing valves, and temperature control valves
- + Combined with union and isolation valve

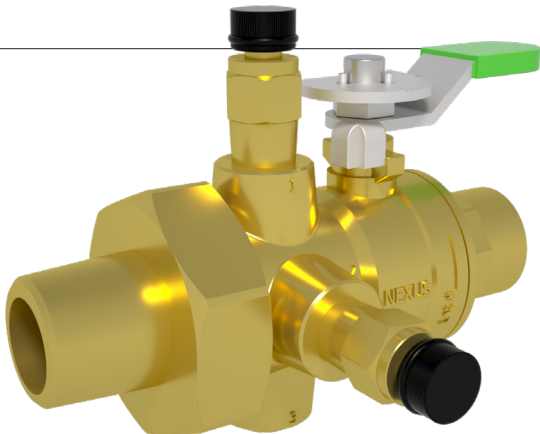
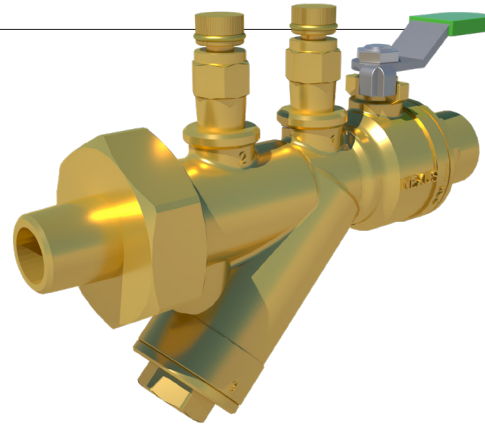


Union

- + Utilized to connect two pipes
- + Includes manual air vents and pressure/temperature ports
- + Allows for easy disconnection/connection for future valve or coil maintenance

Automatic Balancing Valve

- + Allows for pressure independent fluid control
- + Sized for a fluid flow and pressure range
- + Combined with union and isolation valve



Manual Balancing Valve

- + Provides pressure dependent fluid control
- + Combined with union and isolation valve

price | **TERMINAL UNITS**

Product Improvement is a continuing endeavour at Price. Therefore, specifications are subject to change without notice. Consult your Price Sales Representative for current specifications or more detailed information. Not all products may be available in all geographic areas. All goods described in this document are warranted as described in the Limited Warranty shown at priceindustries.com. The complete Price product catalog can be viewed online at priceindustries.com.